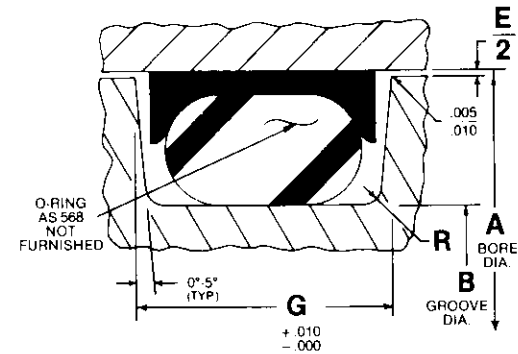


Dash No.	A Dia.	B Dia.	Dash No.	A Dia.	B Dia.	Dash No.	A Dia.	B Dia.
	+ .001 - .000	+ .000 - .001		+ .002 - .000	+ .000 - .002		+ .002 - .000	+ .000 - .002
012	.485	.373	145	2.743	2.565	336	3.243	2.871
	+ .002 - .000	+ .000 - .002	146	2.805	2.627	337	3.368	2.996
			147	2.868	2.690	338	3.493	3.121
013	.550	.438	148	2.930	2.752	339	3.618	3.246
014	.613	.501	149	2.993	2.815	340	3.743	3.371
015	.675	.563	210	.991	.748	341	3.868	3.496
016	.738	.627	211	1.053	.810	342	3.993	3.621
017	.800	.688	212	1.116	.873	343	4.118	3.746
018	.863	.751	213	1.178	.935	344	4.243	3.871
019	.925	.813	214	1.241	.998	345	4.368	3.996
020	.991	.879	215	1.303	1.060	346	4.493	4.121
021	1.053	.941	216	1.366	1.123	347	4.618	4.246
022	1.116	1.004	217	1.428	1.185	348	4.743	4.371
023	1.178	1.066	218	1.491	1.248	349	4.868	4.496
024	1.241	1.129	219	1.553	1.310		+ .003 - .000	+ .000 - .003
025	1.303	1.191	220	1.616	1.373	425	4.974	4.497
026	1.366	1.254	221	1.678	1.435	426	5.099	4.622
027	1.428	1.316	222	1.741	1.498	427	5.224	4.747
028	1.491	1.379	223	1.867	1.624	428	5.349	4.872
110	.550	.372	224	1.992	1.749	429	5.474	4.997
111	.613	.435	225	2.118	1.875	430	5.599	5.122
112	.675	.497	226	2.243	2.000	431	5.724	5.247
113	.738	.560	227	2.368	2.125	432	5.849	5.372
114	.800	.622	228	2.493	2.250	433	5.974	5.497
115	.863	.685	229	2.618	2.375	434	6.099	5.622
116	.925	.747	230	2.743	2.500	435	6.224	5.747
117	.991	.813	231	2.868	2.625	436	6.349	5.872
118	1.053	.875	232	2.993	2.750	437	6.474	5.997
119	1.116	.938	233	3.118	2.875	438	6.724	6.247
120	1.178	1.000	234	3.243	3.000	439	6.974	6.497
121	1.241	1.063	235	3.368	3.125	440	7.224	6.747
122	1.303	1.125	236	3.493	3.250	441	7.474	6.997
123	1.366	1.188	237	3.618	3.375	442	7.724	7.247
124	1.428	1.250	238	3.743	3.500	443	7.974	7.497
125	1.491	1.313	239	3.868	3.625	444	8.224	7.747
126	1.553	1.375	240	3.993	3.750	445	8.474	7.997
127	1.616	1.438	241	4.118	3.875	446	8.724	8.247
128	1.678	1.500	242	4.243	4.000		+ .004 - .000	+ .000 - .003
129	1.741	1.563	243	4.368	4.125	447	9.474	8.997
130	1.805	1.627	244	4.493	4.250	448	9.974	9.497
131	1.867	1.689	245	4.618	4.375	449	10.474	9.997
132	1.930	1.752	246	4.743	4.500	450	10.974	10.497
133	1.992	1.814	247	4.868	4.625	451	11.474	10.997
134	2.055	1.877	325	1.867	1.495	452	11.974	11.497
135	2.118	1.940	326	1.992	1.620	453	12.474	11.997
136	2.180	2.002	327	2.118	1.746	454	12.974	12.497
137	2.243	2.065	328	2.243	1.871	455	13.474	12.997
138	2.305	2.127	329	2.368	1.996	456	13.974	13.497
139	2.368	2.190	330	2.493	2.121	457	14.474	13.997
140	2.430	2.252	331	2.618	2.246	458	14.974	14.497
141	2.493	2.315	332	2.743	2.371	459	15.474	14.997
142	2.555	2.377	333	2.868	2.496	460	15.974	15.497
143	2.618	2.440	334	2.993	2.621			
144	2.680	2.502	335	3.118	2.746			



Dash No.	G Groove Width + .010 - .000	R Groove Radius	E Diametral Clearance Max.
012	.094	.005-.015	.004
013-028	.094	.005-.015	.005
110-129	.141	.005-.015	.005
130-140	.141	.005-.015	.006
141-149	.141	.005-.015	.007
210-222	.188	.010-.025	.005
223-227	.188	.010-.025	.006
228-243	.188	.010-.025	.007
244-247	.188	.010-.025	.008
325-329	.281	.020-.035	.006
330-345	.281	.020-.035	.007
346-349	.281	.020-.035	.008
425-445	.375	.020-.035	.009
446	.375	.020-.035	.010
447-460	.375	.020-.035	.011

- Notes:**
- This part is supplied in long wearing Tetralon®; for other material callouts refer to Technical Data section.
 - Dash numbers correspond to AS568.
 - O-ring size is same as seal dash size.
 - Suitable for use with MIL-P-83461 O-rings in MIL-H-83282 hydraulic fluid
- as well as with all standard hydraulic fluids and O-ring compounds.
- Sidewall notches optional.
 - This part also supplied with Mini grooves®; add "M" after basic part no. for Minigroove configuration.

Ordering Instructions

Example: TF 936 M-214 N

Basic P/N _____

For Minigroove only _____

Size Dash No. _____

For optional notches only _____



**PISTON SEAL INSTALLATION
FOR MIL-G-5514
(F REVISION)
NO BACK-UP GLAND
HEAVY DUTY SERVICE**

CODE IDENT
07128

TF 936