

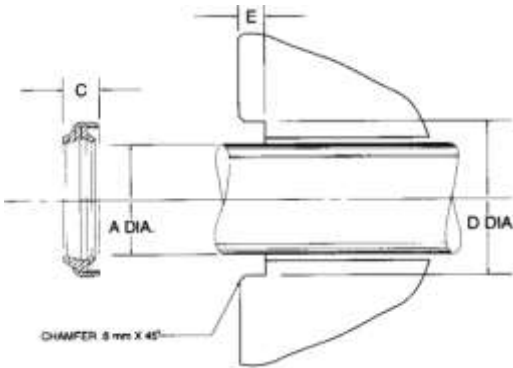


# Pressure Seals, Inc.

Phone: (877)-PSI-SEAL Toll Free  
 Thousands of Seals, O-Rings, and U-Cups  
 World-Class Service since 1976!



## AMH Type Metric Wipers



AMH wipers are available in metric sizes only. They consist of a corrosive resistant carbon steel shell chemically bonded to a 90 durometer short A polyurethane. The double lip design works very well at keeping dirt and contaminants out as well as excess oil in. This design is used extensively in Japanese heavy equipment and mobile hydraulics.

Prefix	Rod Diameter A (mm)	Part Number					Overall Height C (mm)
		Groove Dimensions				X	
		Bore D (mm) H8	X	Groove Depth E (mm) +.4/+.6	X		
AMH -	25	X	37	X	6	X	9
AMH -	30	X	42	X	6	X	9
AMH -	35	X	47	X	7	X	10
AMH -	40	X	52	X	7	X	10
AMH -	45	X	57	X	7	X	10
AMH -	50	X	62	X	7	X	10
AMH -	55	X	69	X	8	X	11
AMH -	60	X	74	X	8	X	11
AMH -	65	X	79	X	8	X	11
AMH -	70	X	80	X	7	X	9.5
AMH -	70	X	84	X	8	X	11

Prefix	Rod Diameter A (mm)	Part Number					Overall Height C (mm)
		Groove Dimensions				X	
		Bore D (mm) H8	X	Groove Depth E (mm) +.4/+.6	X		
AMH -	75	X	89	X	8	X	11
AMH -	80	X	90	X	7	X	9.5
AMH -	80	X	94	X	8	X	11
AMH -	85	X	99	X	8	X	11
AMH -	90	X	104	X	8	X	11
AMH -	95	X	109	X	8	X	11
AMH -	100	X	110	X	7	X	9.5
AMH -	100	X	114	X	8	X	11
AMH -	105	X	121	X	9	X	12
AMH -	110	X	126	X	9	X	12
AMH -	120	X	136	X	8	X	11