



Pressure Seals, Inc.

Phone: (877)-PSI-SEAL Toll Free
Thousands of Seals, O-Rings, and U-Cups
World-Class Service since 1976!

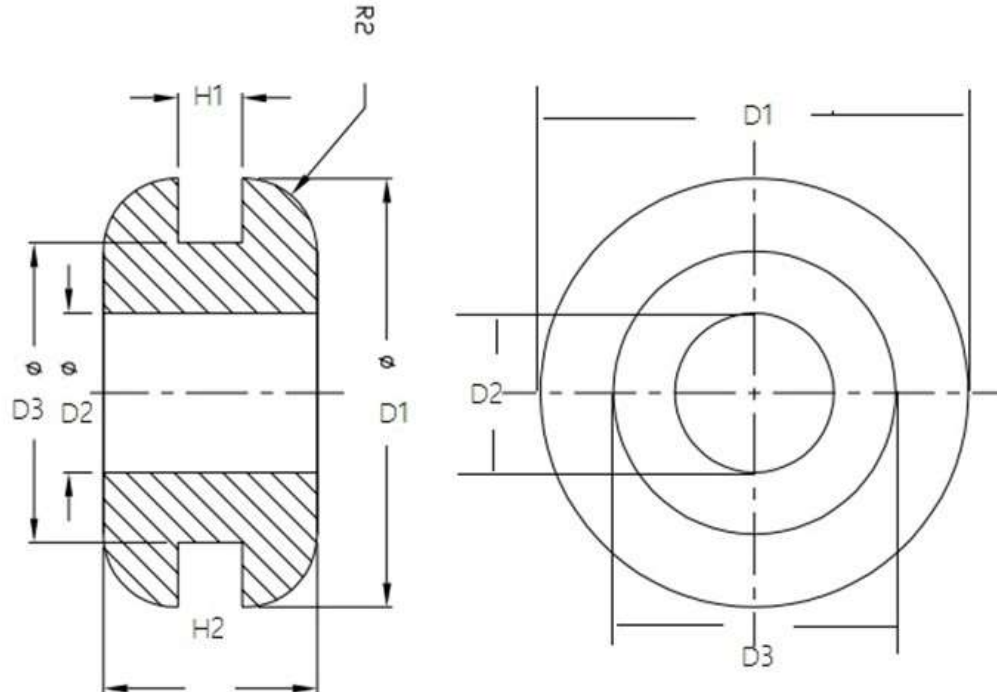


Product Name:

Rubber Grommets:

Product Description:

Grommets can be made of plastic or rubber. Commonly used materials including silicone, SBR & NBR. SBR and NBR rubber grommet materials are interchangeable in most applications.



D2 - Rubber Grommet inside hole should approximately match the size of wires, cables, hoses.

H1 - Rubber Grommet Groove Width should approximately match the thickness of the installation wall.

D3 - Rubber Grommet Groove Diameter should approximately match the installation hole size.

D1, H2 - Dimensions are typically less critical depending on the application.

If you don't have a drawing or sample, you can advise the value of D1, D2, D3, H1 and H2, and we can quote the appropriate size.

Pressure Seals Inc. 81 Commerce Way, South Windsor, CT 06074

Phone: (877)-PSI-SEAL Toll Free, In CT: (860) 282-9100, Fax: (860) 282-9001



Pressure Seals, Inc.

Phone: (877)-PSI-SEAL Toll Free
Thousands of Seals, O-Rings, and U-Cups
World-Class Service since 1976!



Product Name:

Rubber Grommets Continued:

Basic Info:

The table below provides some basic information:

Item	Description
Size	According to drawing or sample
Color	Commonly molded in black, but any color is available
Hardness	Duro 30 to 80 Shore A
Hardness Tolerance	+/-5 Shore A
Temperature Range	-40 °C to 100 °C or -60 °C to 200 °C

Materials Selection:

Grommets are normally molded in SBR, NBR or silicone, but we can mold them in other compounds as well.

Performance	Silicone	NBR	SBR
Abrasion-Resistance	Poor	Excellent	Excellent
Rebound-Resistance	Excellent	Good	Good
Tensile Strength	Limited	Good	Good
Elongation	Excellent	Good	Good
Oil and Fuel Resistance	Limited	Good	Poor
Water Resistance	Good	Good	Good
Oxygenated-Solvent Resistance	Poor	Poor	Good
Ozone Resistance	Excellent	Poor	Poor

Application:

Rubber grommets are designed to be pushed into holes to protect wires, cables, hoses and anything else passing through from damage and vibration. The exact shape, style and finish can vary, but perform the same function.



Pressure Seals Inc. 81 Commerce Way, South Windsor, CT 06074

Phone: (877)-PSI-SEAL Toll Free, In CT: (860) 282-9100, Fax: (860) 282-9001